

# PROFIL LIGHT



## LX-PL-LS1612L

24V	CRI >80/95	PF >0.9	IP 20
-----	---------------	------------	----------



### LX-PL-LS1612L

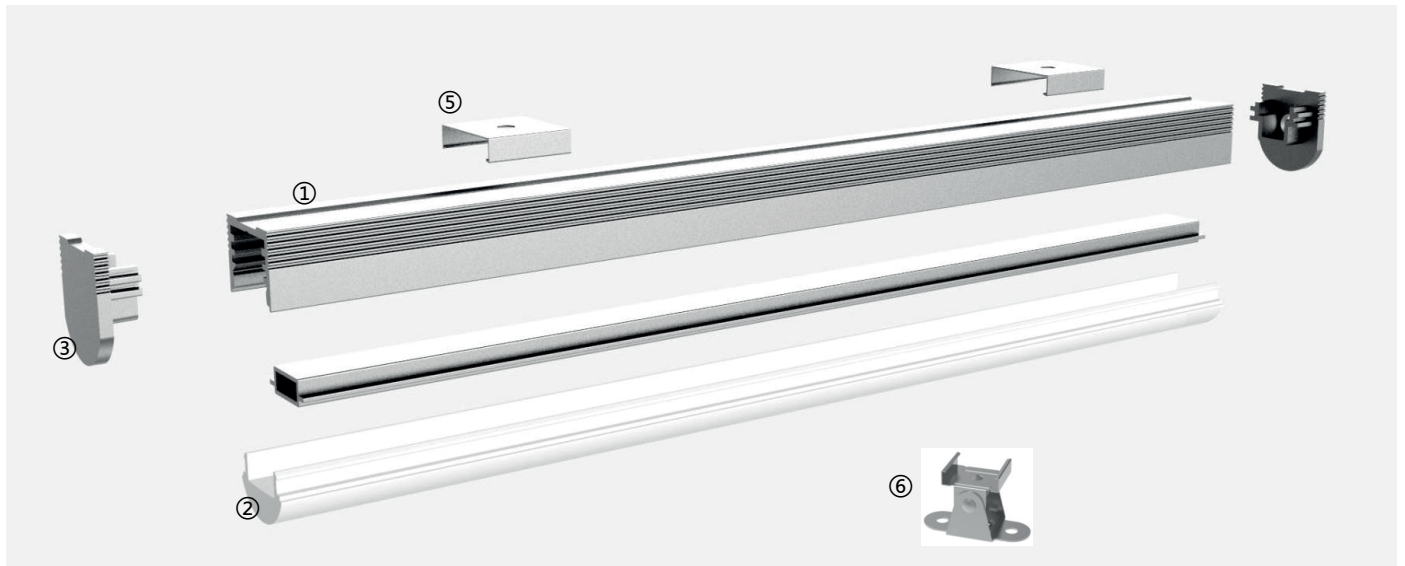
- By changing the position of the carrier, a variety of beam angles of 20 ° / 40 ° / 60 ° / 80 ° can be achieved
- AL6063-T5 aluminum profiles with high quality surface treatment and three optional colors of black, white and silver
- Close-fitting design without screws, optional end caps with or without holes





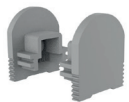
**luxio**  
L I G H T I N G

[www.luxio-lighting.com](http://www.luxio-lighting.com)


## Details



## Standard Configuration

Picture	Item	Parameter	Model
	① Profile&Carrier	Material: AL6063-T5 Profile weight: 0.5kg/2.5m Size: L2500*W16*H12mm Surface processing: Anodizing	/
	②Cover	Type: Frosted diffuser Material: PMMA Light transmittance : 85% Size : L2500*W15.81*H9.94mm (shrink) 0.8mm/m when the temperature rises (drops) 10°C.	/
	③End caps	Size : L16*W7*H18mm	LX-EC-LS1612L

## Optional Accessories

Picture	Item	Parameter	Model
	③ End cap with hole	Size : L16*W7*H18mm	LX-EC-LS1612L
	FPC strip	Material : FPC, CCT : 2700/3000/4000/6000K ; Ra>90; Voltage:24V ; Power : 6.6W/m ; Lumen : 710Lm/m ; PCB width : 8mm ; Minimum cut : 50mm ; ;	LX-ST-D6140-24V- 8mm
	⑤ Recessed clips	Size : L17.8*W15*H4.5mm	LX-CP-04
	⑥ 0-180° adjustable installation clip	Size : L35*W17.7*H21.4mm	LX-CP-06

## Fixings



## Dimensions

