

PROFIL LIGHT



LX-PL-LS3535

24V	CRI >80/95	PF >0.9	IP 20
-----	---------------	------------	----------



LX-PL-LS3535

Special local auxiliary lighting system, can be widely used in various interior decoration scenarios and local light spaces. A touch of auxiliary decorative lighting in addition to the basic lighting creates different atmospheres and visual enjoyment.

Embellish life with light that follows you whenever you go.

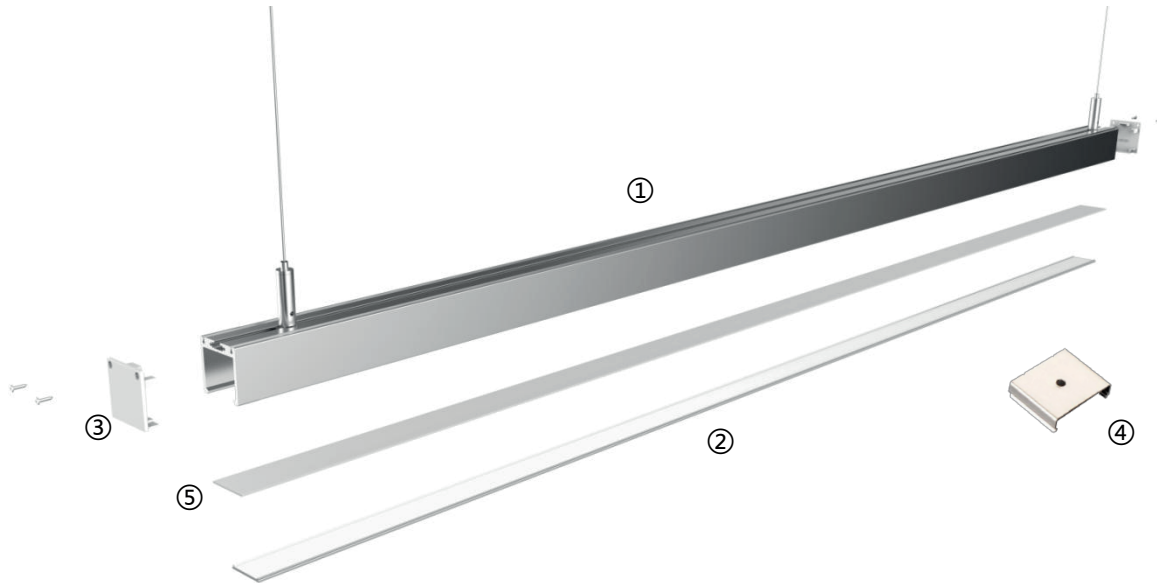
- 1, "Dots-free" lighting : Perfect homogenous lighting.
- 2, Various diffuser options : Several options of diffusers, In various shapes and light distribution plans Complete with everything needed
- 3, "Two" end caps : Two options of end cap for two ways of wire outgoing, Close-fitting design without screws makes installation much easier
- 4, Various installation methods : A wide range of installation accessories wider applications
- 5, "One" cut : Consistent length between diffuser and profile
- 6, Smart control for unlimited possibilities : Perfectly match the profiles like customized, Control by hand sweep or touching.






luxio
L I G H T I N G

www.luxio-lighting.com

Details



Standard Configuration

Picture	Item	Parameter	Model
	①Profile	Material: AL6063-T5 Profile weight: 0.655kg/m Size: L2500*W35*H35mm Surface processing: Anodizing	/
	②Cover	Type: Frosted diffuser Material: PC Light transmittance : 65% Size : L2500*W32.8*H5.1mm (shrink) 0.8mm/m when the temperature rises (drops) 10°C.	/
	③End caps	Size : L20*W20*H4.5mm	LX-EC-LS3535

Optional Accessories

Picture	Item	Parameter	Model
	④ Mounting clip	Size : L24.6*W20*H6.2mm	LX-CP-15
	Pendant-with junction box	Cord:D1.5*2000mm(D1.5*4000mm) Box:L80*W80*H30mm	LX-PY-D
	Pendant-without junction box	Cord:D1.5*2000mm(D1.5*4000mm)	LX-PN-D
	Splicing Bar	Material: AL6063-T5 Size : L1000*W13.3*H2.6mm	LX-EX-09
	Flexible strip	Material : FPC,CCT:1900/2300/2700/3000/3500/ 4000/5000/6000K ; CRI>80/>95 ; Voltage : 24V Power : 20W/m ; Lumen : 2700Lm/m ; Width : 20mm ; Minimum cutting unit : 14LEDs/50mm ;	LX-ST-D8280-24V -20mm

Fixings



Dimensions

