

# PROFIL LIGHT



## LX-PL-SK6013(B)

24V	CRI >80/95	PF >0.9	IP 20
-----	---------------	------------	----------



### LX-PL-SK6013(B)



- Apply to skirting board , integrated into architecture.
- Indirect lighting design integrates architectural and lighting effects.
- AL6063-T5 aluminum profile with high-quality surface treatment.





**luxio**  
L I G H T I N G

[www.luxio-lighting.com](http://www.luxio-lighting.com)

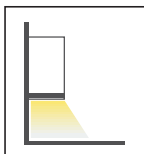
## Standard Configuration

Picture	Item	Parameter	Model
	Profile	Profile weight : 0.8kg/2.5m Size : L2500*W13.2*H60mm Material : AL6063-T5 Surface processing : Spraying RAL9003	/
	Cover	Type: Frosted diffuser Material : PC Light transmittance : 80% Size : L2500*W10.3*H6.8mm PC Feature : The diffuser will extend (shrink) 0.8mm/m when the temperature rises (drops) 10°C.	/

## Optional Accessories

Picture	Item	Parameter	Model
	Flexible strip	Material : FPC,CCT : 2700/3000/4000/6000K ; CRI >90 ; Voltage : 24V ; Power : 6.6W/m ; Lumen : 710Lm/m ; Width : 8mm ; Minimum cutting unit : 7LEDs/50mm ;	/
	Screw	Size : M3.5*40mm Material : Carbon steel	/

## Fixings



## Dimensions

