

STRIP LED



LX-ST-D560RGBW-48V-12mm



- RGBW colorful strip
- Widely adapted to various controllers
- High quality FPC, brand 3M tape
- One stop linear light source solution
- Ta: -25~40°C ; Tc : 75°C (max))
- Rated current : 0.35A(1m) 5.25A(15m)
- On-off times: 10000 (test times)
- Max.length : 15000mm(49.2')
- Cutting unit : 20leds/166.7mm(6.56")
- Min. bend diameter : Φ 60mm(2.36")
- Mounting : 3M tape
- Copper foil: 3oz



luxio
L I G H T I N G

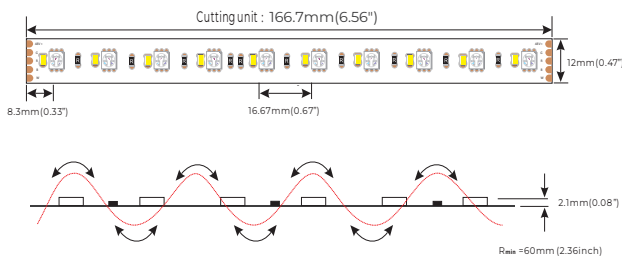
www.luxio-lighting.com

References

Reference	Typical Power	Max Power	Luminous flux/m	CRI	CCT/K	IP Rating	Dimensions
LX-ST-D560RGBW-24V-12mm	16.8W/(1m) & 252W/(5m)	19.2W(1m)	770lm	/	R:620-625nm G:520-525nm+2700K B:455-460nm	IP20/65/67	15000*12*2.1mm
			770lm		R:620-625nm G:520-525nm+3000K B:455-460nm		
			750lm		R:620-625nm G:520-525nm+4000K B:455-460nm		
			800lm		R:620-625nm G:520-525nm+6000K B:455-460nm		

- 1.The tolerance of output data can be vary up to 15%.
- 2.the output data tested according to IES TM-30-15.
- 3.the output data is based on IP20/1 merter, data of 5m in only for reference.
- 4.IP protection process leads changes to size, CCT and luminous flux.








Dimensions



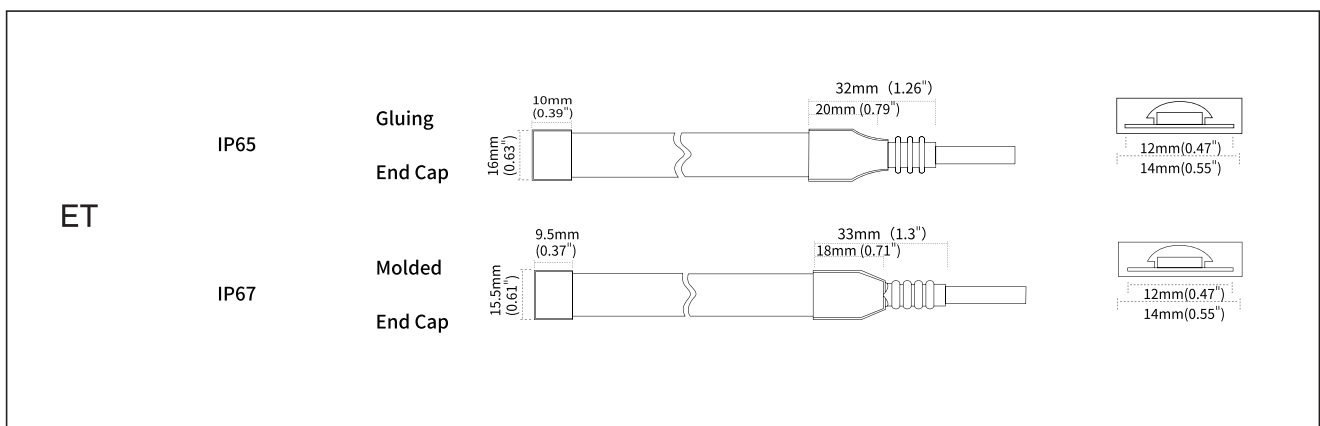
Electronic & output data

IP Process	Picture	Picture description	Size	Optional CCT/color for finished product	Lumen output rate
NO		No proof	12mm*2.1mm	RGB+(2700K/3000K/4000K/6000K)	100%
NA		Nano-proof	12mm*2.1mm	RGB+(2700K/3000K/4000K/6000K)	98%
ET		Extrusion tube	14mm*4.8mm	RGB+(2700K/3000K/4000K/6000K)	88%




IP process information

Name	Picture	Code	coding	description
Fixed Clip		94-02-00-0004	LX-FSW12SA	Silicone clip, screw: PA 3*8mm, suitable for 12mm FPC,EF/ET strip
Silicone Plug Kit		94-02-00-0048	LX-DT12EA-A	Silicone plug kit, suitable for 12mm board width, ET/EF series silicone extrusion light strip
Silicone stopper kit		94-02-00-0049	LX-DW12EA-A	Silicone tail plug kit, suitable for 12mm board width, ET/EF series silicone extrusion light strip
Mounting groove		94-02-00-0026	LX-CPT12EA-16100100	Transparent PVC mounting groove,suitable for 12mm FPC,silicone extruded EF/ET strip
Stopper glue		94-16-03010001	LX-AS-PG-0003	Silicone gel,suitable for ET/EF/EG/ERG waterproof LED strip
Connector for FPC and FPC		81-01-000002-000048	LX-CBB512-NOTA	12MM-5P solder-free connector (board-to board)\ suitable for bare board 12mm width strip light
Connector for wire and FPC		81-01-000002-000049	LX-CXB512-NOTA	12MM-5P solderless connector(wire to board)\ Compatible with 22AWG wire\22#(4A)\Applicable to bare board 12mm width lamp strip

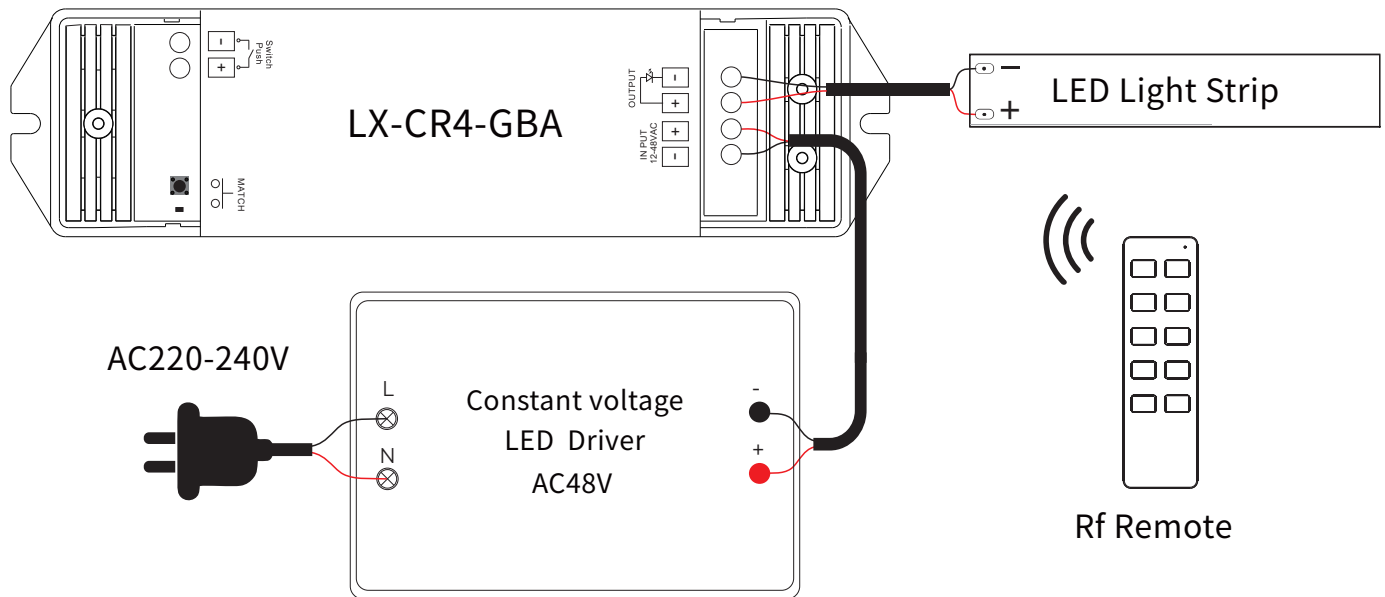
IP process information



Controller & Power Supply

Product Image	Product Name	Product number	Order Code	Product Specifications	Applicable Products
	RGB LED Strip Controller	LX-CR4-GBA	402-01-000000-00004	Input voltage :12-48VDC Max load current :5A*4CH,Max 20A Max load power:240W/480W@12V/ 24V/,20W/960W@36V/48V). Operating temperature : -30°C-55°C Product Size :L175*W45*H27(mm)	single light strip Use with (LX-CK4-GBA)
	RGB Remote	LX-CK4-GBA	402-02-000000-00003	Operating Voltage : 3VDC (Battery) Working frequency :2.4GHz Remote control distance : 30m Operating temperature : -30°C-55°C Product Size : L107*W58.5*H9 (mm)	single light strip (Use with LX-CR3-) GBA
	Constant Voltage LED Driver	LX-BN-V48-250P	401-01-000000-00006	Input voltage : 220-240V Output voltage :48V Output Power :0-250W Output current :5.21A,PF>0.95 400×40×22mm, 5 years warranty.	48V light

Wiring diagram



Note: This controller supports the Push function, and the 0-10V/Dall dimming function can be found in the EUCHIPS specification.



www.luxio-lighting.com

Precautions

- Please drive the led strip with 48VDC isolated power, and the ripple of the constant voltage source should be less than 5%.
- Please do not bend the strip into an arc with a diameter less than 60mm to ensure the longevity and reliability.
- Do not fold it in case any damage of LED beads.
- Do not pull the power wire hard to ensure the longevity. Any Crash may damage the LED light is prohibited.
- Please make sure the wire is connected to the anode and cathode correctly. The power output should be consistent with the voltage of the strip to avoid damage.
- LED lights should be stored in dry, sealed environment. Please only unpack it before usage. Ambient temperature: -25°C~40°C
- Storage temperature: 0°C~60°C. Please use the strips without waterproof within indoor environment with humidity less than 70%.
- Please be careful during operation. Do not touch the AC power supply in case of electric shock.
- Please leave at least 20% power for the power supply during using to ensure there is enough power supply to drive the product.
- Do not use any acid or alkaline adhesives to fix the product (e.g.: glass cement).
- Do not scratch the product when IP process of the product is NA. Ultraviolet rays will damage the nano-layers on the product and seriously affect the life of the product.