

STRIP LED



LX-ST-DA120RGB-48V-5mm



- RGB colorful strip
- Widely adaptable to all types of controllers
- High quality FPC, brand 3M tape
- One stop linear light source solution
- Ta: -25~40°C ; Tc : 75°C (max)
- Rated current : 0.19A(1m) 0.75A(5m)
- On-off times: 10000 (test times)
- Max.length : 10000mm(32.8')
- Cutting unit : 12leds/100mm(3.84")
- Min. bend diameter : Φ 60mm(2.36")
- Mounting : 3M tape
- Copper foil: 3oz



luxio
L I G H T I N G

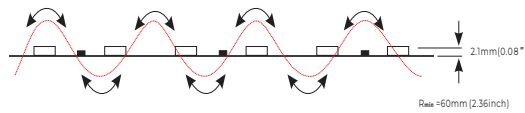
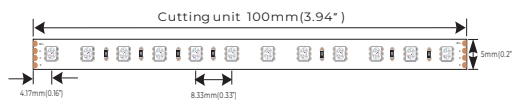
www.luxio-lighting.com

References

Reference	Typical Power	Max Power	Luminous flux/m	CRI	CCT/K	IP Rating	Dimensions
LX-ST-DA120RGB-48V-5mm	9W/(1m) & 36W/(5m)	10.4W(1m)	440lm	Ra>80	R:620-625nm G:520-525nm B:455-460nm	IP20/65	5000*5*2.5mm

- 1.The tolerance of output data can be vary up to 15%.
- 2.the output data tested according to IES TM-30-15.
- 3.the output data is based on IP20/1 merter, data of 5m in only for reference.
- 4.IP protection process leads changes to size, CCT and luminous flux.




Dimensions



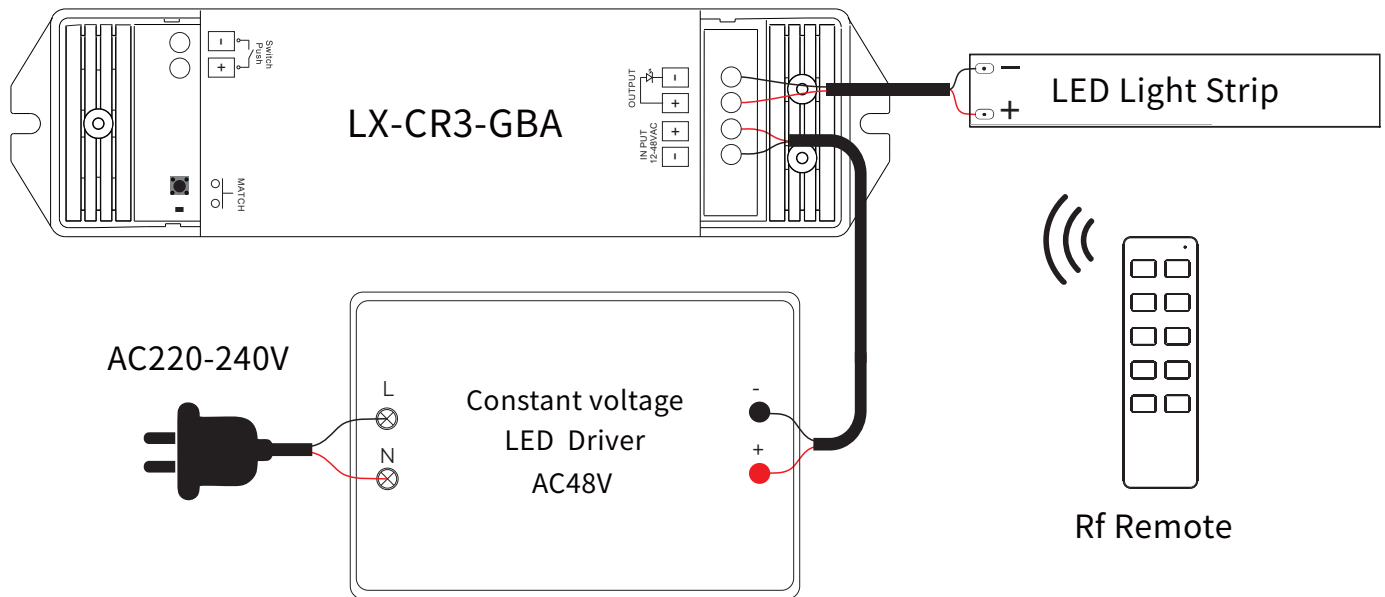
Electronic & output data

IP Process	Picture	Picture description	Size	Optional CCT/color for finished product	Lumen output rate
NO	 NO/IP20	No proof	5mm*2.1mm	RGB	100%
NA	 NANO/IP65	Nano-proof	5mm*2.1mm	RGB	98%

Controller & Power Supply

Product Image	Product Name	Product number	Order Code	Product Specifications	Applicable Products
	RGB LED Strip Controller	LX-CR3-GBA	402-01-000000-00003	Input voltage :12-48VDC Max load current :6A*3CH,Max 18A Max load power:216W/432W@12V/ 24V/,648W/864@36V/48V. Operating temperature : -30°C-55°C Product Size :L175*W45*H27(mm)	single light strip Use with (LX-CK4-GBA)
	RGB Remote	LX-CK4-GBA	402-02-000000-00003	Operating Voltage : 3VDC (Battery) Working frequency :2.4GHz Remote control distance : 30m Operating temperature : -30°C-55°C Product Size : L107*W58.5*H9 (mm)	single light strip (Use with LX-CR3-) GBA
	Constant Voltage LED Driver	LX-BN-V48-100P	401-01-000000-00004	Input voltage : 220-240V Output voltage :48V Output Power :0-100W Output current :2.1A,PF>0.95 350×30×18mm, 5 years warranty.	RGB light

Wiring diagram



Note: This controller supports the Push function, and the 0-10V/Dall dimming function can be found in the EUCHIPS specification.



www.luxio-lighting.com

Precautions

- Please drive the led strip with 48VDC isolated power, and the ripple of the constant voltage source should be less than 5%.
- Please do not bend the strip into an arc with a diameter less than 60mm to ensure the longevity and reliability.
- Do not fold it in case any damage of LED beads.
- Do not pull the power wire hard to ensure the longevity. Any Crash may damage the LED light is prohibited.
- Please make sure the wire is connected to the anode and cathode correctly. The power output should be consistent with the voltage of the strip to avoid damage.
- LED lights should be stored in dry, sealed environment. Please only unpack it before usage. Ambient temperature: -250°C~400°C
- Storage temperature: 0°C~600°C. Please use the strips without waterproof within indoor environment with humidity less than 70%.
- Please be careful during operation. Do not touch the AC power supply in case of electric shock.
- Please leave at least 20% power for the power supply during using to ensure there is enough power supply to drive the product.
- Do not use any acid or alkaline adhesives to fix the product (e.g.: glass cement).
- Do not scratch the product when IP process of the product is NA. Ultraviolet rays will damage the nano-layers on the product and seriously affect the life of the product.