

NEON FLEX



2300 K 2700 K 3000 K 3500 K 4000 K

LX-NF-NMS1010

IP 67	IK 08	CRI >90	DC24V
-----------------	-----------------	-------------------	--------------

UV RESISTANT	FLAME RESISTANT	SALTWATER RESISTANT	SOLVENT RESISTANT
---------------------	------------------------	----------------------------	--------------------------

5 GARANTIE	CE	RoHS	60000h
----------------------	-----------	-------------	---------------

NEON FLEX

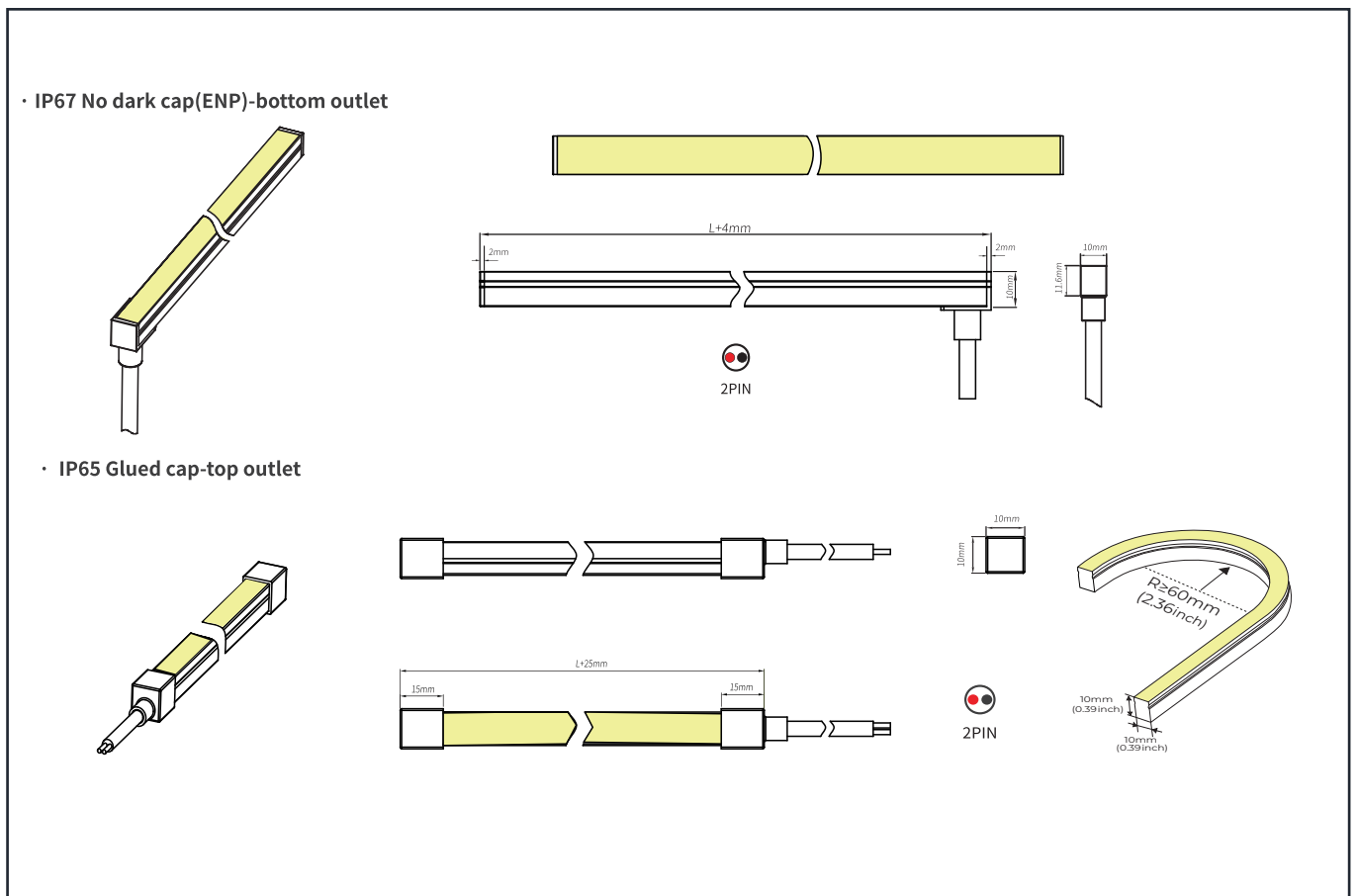
- Light source: SMD2835, LM80 proved.
 - Process & Material: High light transmittance, environmental silicone material, integrated extrusion molding technology, IP67.
 - Optical Design: 10M driven by one end, arbitrary cutting.
 - Appearance Design: Compared with the traditional neon tube or PVC guardrail tube, the silicone material has good flexibility, the simple and stylish appearance, which is exquisite and unique.
 - Product Certification: UL, CE, ROHS.
 - Environmental Features: Resistance to saline solutions, acids & alkali, corrosive gases and UV.
 - Working/Storage Temperature: Ta:-25~55°C / 0°C ~ 60°C.
- Application : outdoor/internal decorative lighting, architectural contour application.

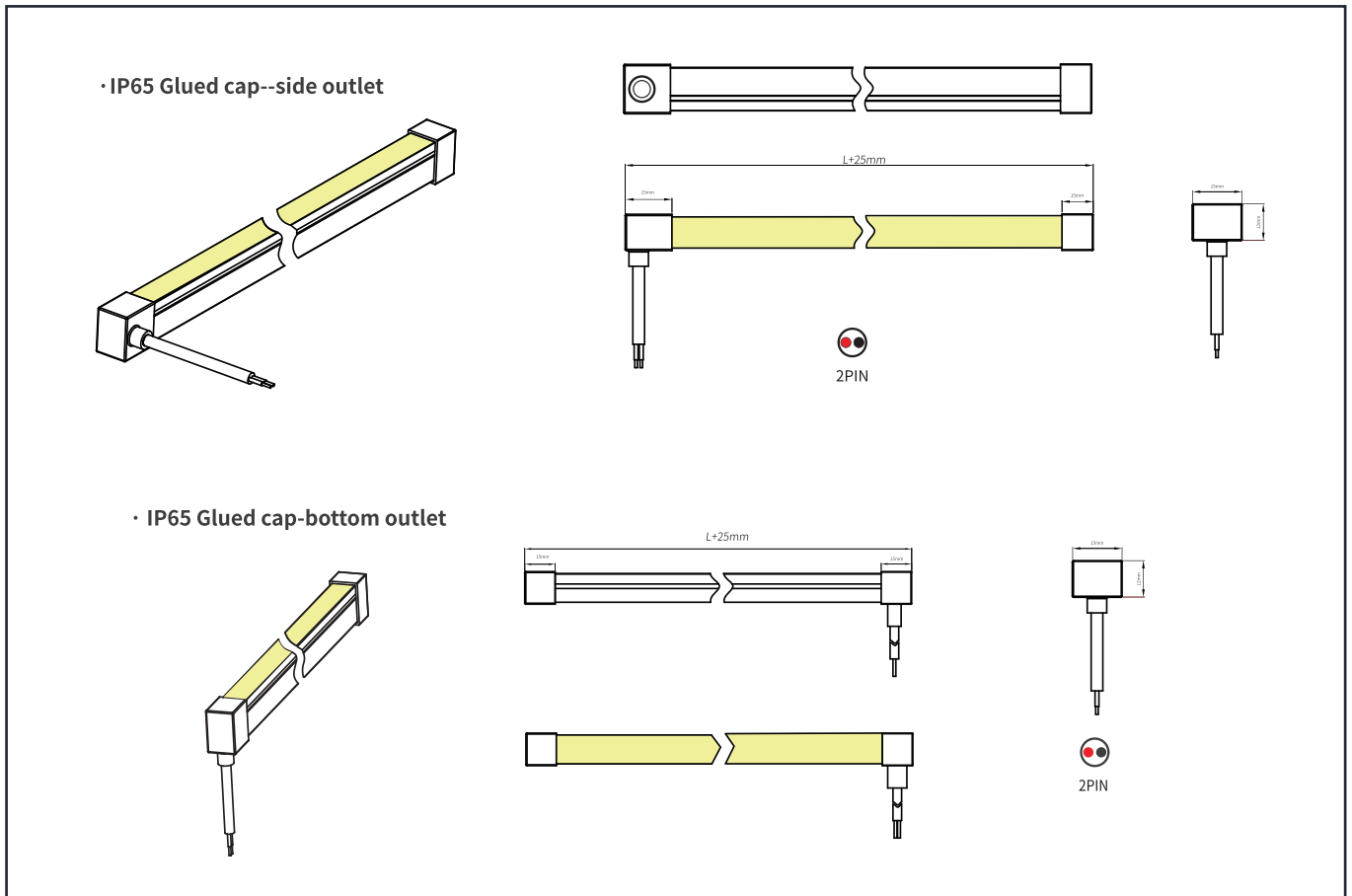
References

Reference	Rated power (w/m)	Maximum power (w/m)	Input Voltage	Rated current (A/m)	CRI	CCT/colors	Luminous flux	IP Rating	Dimensions	Remark
LX-NF-NMS1010	7.2W	8W	24V	0.8	>90	2300K	320Lm	IP65	10000mm	1LED/5.95mm
						2700K	350Lm			
						3000K	350Lm			
						3500K	370Lm			
						4000K	370Lm			

1. The above data is the testing result of 1M standard product;
2. The lumens of output data can be vary up to $\pm 10\%$;
3. The above parameters are all typical values.

Product mechanical parameters





Accessory Information

Name	Describe	Accessories Picture	Section size	Order model	quantity/ case	net weight (kg)	Per box net weight (kg)	Gross weight (kg)	Gross weight (mm)	Remark
Aluminium carrier	Flat mounting aluminum groove			LX-NMT1010A-1000	98	0.18	17.64	18.64	1180*125*115	Size : L1000*W12* H11mm, with screw
Aluminium clip	Flat mounting clip			LX-NMT1010A-20	450	0.0058	2.61	2.91	250*250*150	Size : L20*W12* H11mm, with screw
Moldable carrier	Moldable groovez			LX-NMS1010M-500	66	0.046	4.55	6	500*290*290	Size : L500*W10.7*H10.3mm with screw

Accessory Information

Name	Describe	Accessories Picture	Section size	Order model	Quantity/ case (PCS)	Net weight (kg)	Per box net weight (kg)	Gross weight (kg)	Gross weight (mm)	Remark
End-Cap set	End cap set, including end cap and plug (outlet from the left direction)			LX-NMS1010GS0-EC	800	0.003	2.4	2.7	250*250*150	Side outlet plug and top outlet plug are common
End-Cap set	End cap set, including end cap and plug (outlet from the top direction)			LX-NMS1010GH0-EC	800	0.003	2.4	2.7	250*250*150	/
Glue	Acid glue		/	LX-PG-0002	150	0.014	2.1	2.4	250*250*150	10ml/pcs
wire	2P PVC wire (0.5M)		/	LX-WS-0001	150	0.01541	2.31	2.61	250*250*150	Suitable for single color strip
wire	2P PVC wire (2M)		/	LX-WS-0002	125	0.0616	7.7	8	250*250*150	Suitable for single color strip
connector	2PIN IP68 Waterproof connector		/	LX-FC-0001	512	0.016	8.192	9.5	365*365*190	Suitable for single color strip

Solution of control system

Product Image	product name	Product number	Order code	Product specifications	Applicable Products
	Monochrome remote	LX-CK1-GBA	402-02-000000-00001	output signal : RF Working voltage: 3VDC(CR2032) Remote control distance 30m Working temperature: Ta: 0-30°C-0+55 °C	Monochrome light strip (Use with LX-CR1-GBA)
	Monochrome light controller	LX-CR1-GBA	402-01-000000-00001	Input voltage : DC12-48V Output current : 15A@12V/24V, 10A@36V/48V Output Power : Max 180W@12V/Max 360W@24V/Max 360W@36V/Max 480W@48V Working temperature: 30°C— +55°C	Monochrome light strip (Use with LX-CR1-GBA)

Precautions

- Use a 24V DC isolated power supply to drive the neon lamp strip and the ripple wave of constant voltage source shall be less than 5%. It is not allowed to use RC voltage reduction or non-isolated power supply to drive the neon lamp strip.
- In actual applications, 20% of the power supply shall be kept (only 80% of the power is used) to guarantee that sufficient voltage is available to drive the product.
- Attention shall be paid to safe operation. After powering on, it is not allowed to touch the AC power supply to avoid an electric shock.
- Attention shall be paid to the positive and negative poles of the wires during installation and whether the power supply conforms to required voltages to avoid damages.
- Avoid scratching, distortion and irregular bending of the product during installation; otherwise it may cause irreparable damage to the product.
- Please do not bend the strip into an arc with a diameter less than 60mm to ensure the longevity and reliability, the bending diameter too small will damage the product itself.
- If the actual length of application exceeds the specified using length, it will lead to overload heating and uneven brightness.
- Non-professionals are prohibited from installing, disassembling and repairing the product.
- Do not use any acid or alkaline adhesive to fix products (including not limited to glass cement, etc.)
- Product is not suitable for use in swimming pools and fountains.
- Please confirmed before usage as products of varied sizes show slight differences in their color under same color temperature due to their structural differences.
- When IP65 protective products are installed and applied, the waterproofing grade should be degraded after self-processing and cutting.
- In mass production, 1-2 splices are allowed within every 5 meters.
- Please use professional cutting tools when cutting.



No stretching



No distortion



No trampling