

NEON FLEX



LX-NF-NMT1312-PRO

IP 67	IK 08	CRI >90	DC24-48V
-----------------	-----------------	-------------------	-----------------

UV RESISTANT	FLAME RESISTANT	SALTWATER RESISTANT	SOLVENT RESISTANT
---------------------	------------------------	----------------------------	--------------------------

5 GARANTIE	CE	RoHS	36000h
----------------------	-----------	-------------	---------------

NEON FLEX

- Light source: high luminous efficiency LED lamp beads, LM80 test certification;
- Process material: three-color silicone extrusion technique is applied, Cutting mark more clear;
- Optical design: unique optical light distribution structure design, uniform light emission on the surface without shadows;
- Appearance design: Standard ESD oil spray, anti-dust; good flexibility, simple shape, exquisite and unique;
- Product certification: UL, CE, ROHS, UKCA, CB;
- Environmental characteristics: salt solution resistance, acid and alkali corrosion resistance, flame retardant resistance, UV resistance;
- Working/Storage Temperature: Ta: -25~55°C / 0°C ~ 60°C.
- Symphony working/storage temperature: Ta: -20~40°C / 0°C~60°C;
- Application : signboard lighting, outdoor/internal decorative lighting, architectural contour application;



www.luxio-lighting.com

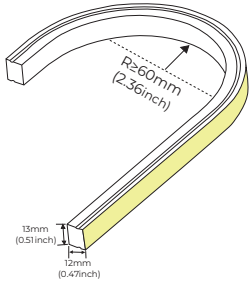
References

Reference	Rated power (w/m)	Maximum power (w/m)	Input Voltage	Rated current (A/m)	CRI	CCT/colors	Luminous flux	IP Rating	Dimensions	Remark
LX-NF-NMT1312-PRO	9.6W	10.6W	24V	0.4	>90	2400K	620Lm	IP67	5000mm / 10000mm	7LED/50mm
						2700K	710Lm			
						3000K	740Lm			
						3500K	740Lm			
						4000K	760Lm			
						4000K	710Lm			
	/	G 525-535nm B 465-470nm	/							
	12W	13.2W	24V	0.5	/	RGB R 620-630nm G 525-530nm B 465-470nm	/		5000mm	7LED/83.3mm
	14.4W	16W	24V	0.6	/	RGB~2700K	/		5000mm	12LED/62.5mm
						RGB~3000K				
						RGB~3500K				
						RGB~4000K				
						RGB~5400K				
	12W	13.2W	24V	0.5	>90	2700~5000K	710Lm		5000mm	14LED/55.6mm
	5.3W	5.8W	48V	0.11	>90	2200K	390Lm		5000mm	12LED/100mm
						2700K	370Lm			
3000K						360Lm				
4000K						380Lm				
9.6W	10.6W	48V	0.2	>90	2200K	700Lm	20000mm	12LED/100mm		
					2700K	650Lm				
					3000K	650Lm				
					4000K	680Lm				
9.6W	10.6W	48V	0.2	/	RGB R 620-630nm G 525-530nm B 465-470nm	/				

Reference	Rated power (w/m)	Maximum power (w/m)	Input Voltage	Rated current (A/m)	CRI	CCT/colors	Luminous flux	IP Rating	Dimensions	Remark	
LX-NF-NMT1312-PRO	9.6W	10.6W	48V	0.2	/	RGB~2100K	/	IP67	20000mm	24LED/125mm	
						RGB~2700K					
						RGB~3000K					
						RGB~3500K					
						RGB~4000K					
						RGB~5000K					
	>90	2100~4000K	520Lm	20000mm	24LED/62.5mm						
	18W	20.7W	24V	0.75	/	RGB R 620-630nm G 525-530nm B 465-470nm	/	IP67	5000mm	7LED/83mm	
						>80	2200K				900Lm
					2700K		1040Lm				
					3000K		1080Lm				
					4000K		990Lm				
					/	RGB R 620-630nm G 525-530nm B 465-470nm	/	IP67		5000mm	7LED/83.3mm
						>80	2200K				
2700K							1040Lm				
3000K	1080Lm										
4000K	990Lm										

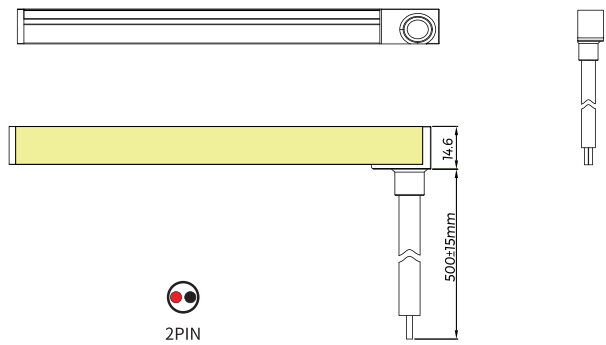
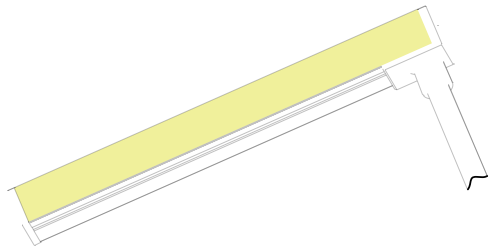
1. The above parameters are tested based on 1m/3.28ft standard products;
2. The luminous flux is allowed to have an error range of $\pm 10\%$;
3. The above parameters are typical values;

Product mechanical parameters

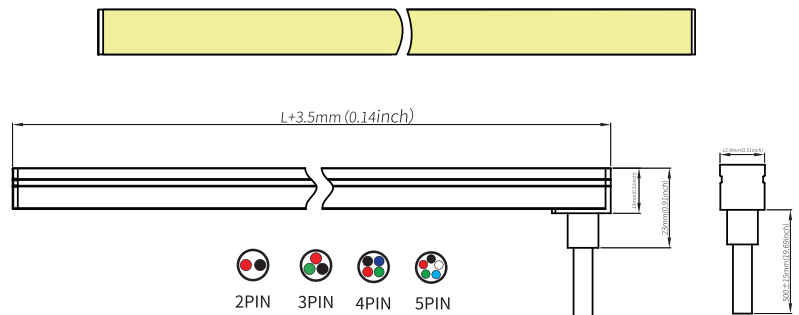
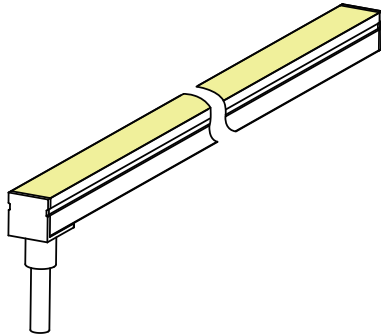


Note: White/CCT/RGB/RGBW light bending radius $R \geq 60\text{mm}$ (2.36inch),
SPI/DMX bending radius $R \geq 80\text{mm}$ (2.6inch)

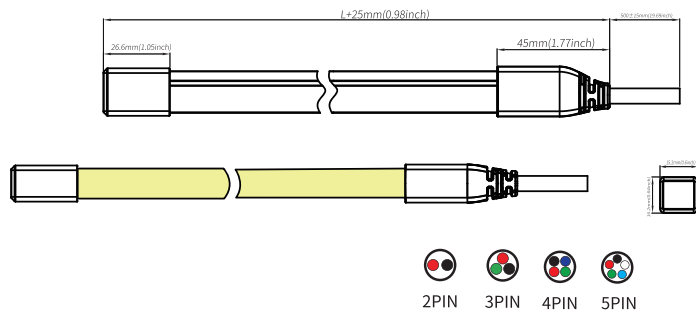
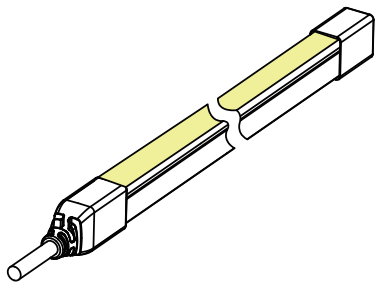
• IP67 No dark cap(ENP)-side outlet (white light)



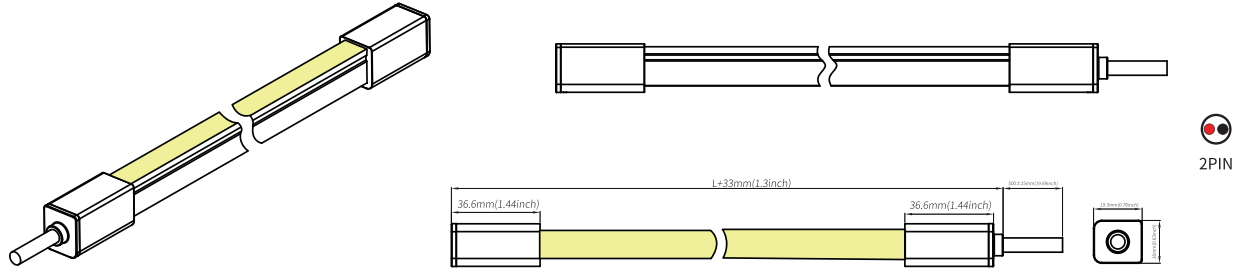
• IP67 No dark cap(ENP)-bottom outlet



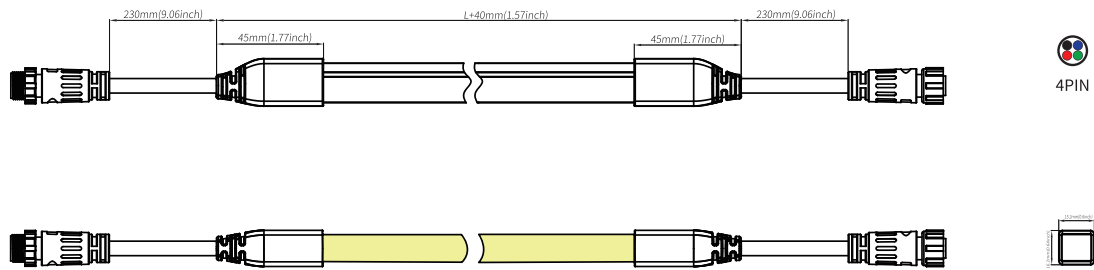
• IP67 Full encapsulated cap(EP)-top outlet



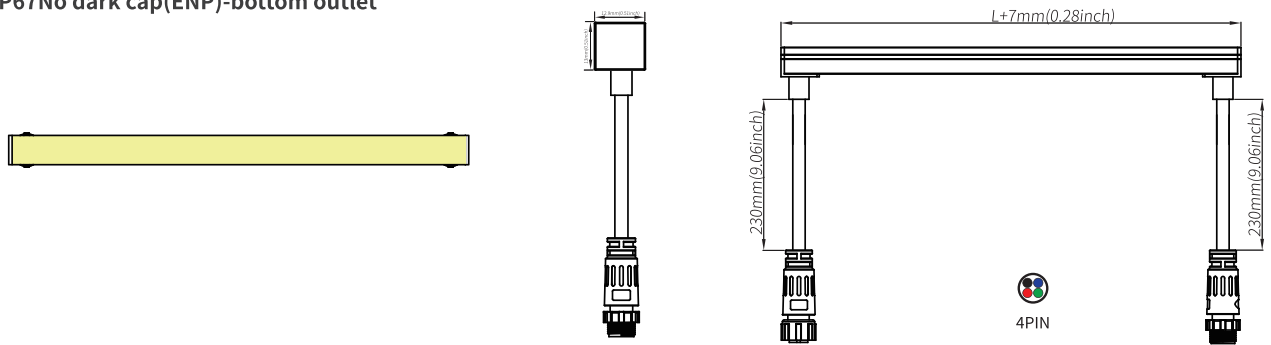
• IP54 Solder-free plug-top outlet



• IP67 Full encapsulated cap(EP)-top outlet



• IP67 No dark cap(ENP)-bottom outlet











Accessory Information

Name	Describe	Accessories Picture	Section size	Order model	Quantity/ case	Net weight	Per box net weight (kg)	Gross weight	Gross weight	Remark
Aluminium carrier	Flat mounting aluminum groove			LX-NMT1312A-1000	60	0.1453	8.8	9.9	1180*125*115	Size : L1000*W15.4* H14.1mm, with screw
Aluminium clip	Flat mounting clip			LX-NMT1312A-25	450	0.0058	2.61	2.91	250*250*150	Size : L25*W15.4* H14.1mm, with screw
Aluminium carrier	Aluminum groove of reserved outlet position			LX-NMT1312B1-1000	64	0.1513	9.1	10.2	1180*125*115	Size : L1000*W14.8* H26mm, with screw
Aluminium clip	clip with reserved outlet position			LX-NMT1312B1-25	300	0.0061	2.745	3.045	250*250*150	Size : L25*W14.8* H26mm, with screw
Alumina carrier	Pre-installed aluminium groove			LX-NMT1312A2-1000	60	0.167	10.02	11.1	1180*125*115	Size : L1000*W16.6*H16.3mm, with screws, 5 clips for 1 meter
PC carrier	Flat mount PC slot			LX-NMT1312P-1000	60	0.066	3.96	5	1180*125*115	Size: L1000*W15.4*H14.6mm, With screws
PC card	Flat mount PC clip			LX-NMT1312P-25	350	0.004	1.4	1.655	250*250*150	Size: L25*W15.4*H14.6mm, With screws
Weld-free waterproof End-Cap	Quick connector (out let from the top direction)			LX-NMT1312HT0-FL	48	0.04	1.92	3.735	365x365x190	outlet 500mm\IP54
Weld-free waterproof End-Cap	Quick connector (out let from the bottom direction)			LX-NMT1312HB0-FL	48	0.04	1.92	3.735	365x365x190	outlet 500mm\IP54
Weld-free waterproof End-Cap	Quick connector (out let from the left direction)			LX-NMT1312HL0-FL	48	0.04	1.92	3.735	365x365x190	outlet 500mm\IP54

Name	Describe	Accessories Picture	Section size	Order model	Quantity/ case	Net weight	Per box net weight (kg)	Gross weight	Gross weight	Remark
Weld-free waterproof End-Cap	Quick connector (out let from the right direction)			LX-NMT1312HR0-FL	48	0.04	1.92	3.735	365x365x190	outlet 500mm\IP54
Weld-free waterproof End-Cap	Quick connector(plug)			LX-NMT1312TX0-FL	48	0.03	1.44	3.255	365x365x190	IP54
Weld-free waterproof connector	Quick connector (wit hout wire)			LX-NMT1312MX0-FL	96	0.026	2.496	2.75	365x365x190	IP54
Moldable carrier	Moldable groovez			LX-NMT1312M-500	66	0.046	4.55	6	500*290*290	Size : L500*W13.7* H13.5mm, with screw Cannot be used upside down
Weld-free waterproof connector	Quick connector (wit h wire)			LX-NMT1312MH0-FL	48	0.053	2.544	2.8	365x365x190	The middle wire is 300mm long, IP54
Glue	Acid glue		/	LX-PG-0002	150	0.014	2.1	2.4	250*250*150	10ml/pcs
wire	2P PVC wire (0.5M)		/	LX-WS-0001	150	0.0154	2.31	2.61	250*250*150	Suitable for single color strip
wire	2P PVC wire (2M)		/	LX-WS-0002	125	0.0616	7.7	8	250*250*150	Suitable for single color strip
wire	3P PVC wire (0.5M)		/	LX-WS-0015	150	0.0154	2.31	2.61	250*250*150	Suitable for SWW strip
wire	3P PVC wire (2M)			LX-WS-0016	125	0.0616	7.7	8	250*250*150	

Name	Describe	Accessories Picture	Section size	Order model	Quantity/ case	Net weight (PCS)	Per box net weight (kg)	Gross weight (kg)	Gross weight (mm)	Remark
Wire	4P PVC wire (0.5M)		/	LX-WS-0003	150	0.0194	2.91	3.21	250*250*150	Suitable for RGB strip
Wire	4P PVC wire (2M)			LX-WS-0004	125	0.0776	9.7	10	250*250*150	
Wire	5P PVC wire (0.5M)		/	LX-WS-0013	150	0.0195	2.925	3.364	250*250*150	Suitable for RGBW strip
Wire	5P PVC wire (2M)			LX-WS-0014	125	0.0755	9.4375	10.86	250*250*150	
wire	4P T-type PVC wire (0.15M*2)		/	LX-FC-0004	20	0.075	1.5	1.95	250*250*150	Suitable for SPI&DMX512 lamp with cascade connection,IP67
wire	4P female connector wire (0.25M)		/	LX-FC-0005	50	0.025	1.25	1.7	250*250*150	Suitable for SPI&DMX512 lamp with cascade connection,IP67
Connector	2PIN IP68 waterproof connector		/	LX-FC-0001	512	0.016	8.192	9.5	365*365*190	Suitable for single color strip
Connector	3PIN IP68 waterproof connector			LX-FC-0002	512	0.018	9.216	10.2	365*365*190	Suitable for SWW strip
Connector	4PIN IP68 waterproof connector			LX-FC-0003	288	0.03	8.64	9.6	365*365*190	Suitable for RGB strip Suitable for RGBX strip

Solution of control system

Product Image	product name	Product number	Order code	Product specifications	Applicable Products
	Monochrome remote	LX-CK1-GBA	402-02-000000-00001	output signal :RF Working voltage:3VDC(CR2032) Remote control distance :30m Working temperature:Ta:0-30°C-0+55°C	Monochrome light strip (Use with LX-CR1-GBA)
	Monochrome light controller	LX-CR1-GBA	402-01-000000-00001	Input voltage : DC12-48V Output current : 15A@12V/24V,10A@36V/48V Output Power : Max 180W@12V/Max 360W @24V/Max 360W@36V/Max 480W@48V Working temperature:-30°C— +55°C	Monochrome light strip (Use with LX-CR1-GBA)
	CCT remote control	LX-CK2-GBA	402-02-000000-00002	output signal : RF Working voltage:3VDC(CR2032) Remote control distance : 30m Working temperature:Ta:0-30°C-0+55°C	CCT light strip (Use with LX-CR2-GBA)
	Color temperature controller	LX-CR2-GBA	402-01-000000-00002	Input voltage : DC12-48V Output current : 8A Output Power :Max 192W@12V/Max 284W @24V/Max 576W@36V/Max 768W@48V Working temperature:-30°C— +55°C	CCT light strip (Use with LX-CK2-GBA)
	RGB/RGBW remote control	LX-CK4-GBA	402-02-000000-00003	output signal :RF Working voltage: 3VDC(CR2032) Remote control distance : 30m Working temperature:Ta:0-30°C-0+55°C	RGB/RGBW light strip (Use with LX-CR3-GBA)
	RGB controller	LX-CR3-GBA	402-01-000000-00003	Input voltage :DC12-48V Output current : 18A Output Power :Max 216W@12V/Max 432W @24V/Max 648W@36V/Max 864W@48V Working temperature:-30°C— +55°C	RGB light strip (Use with LX-CK4-GBA)
	RGBW controller	LX-CR4-GBA	402-01-000000-00004	Input voltage :DC12-48V Output current : 20A Output Power :Max 240W@12V/Max 480W @24V/Max 720W@36V/Max 960W@48V Working temperature:-30°C— +55°C	RGBW light strip (Use with LX-CK4-GBA)
	Symphony Controller	LX-K-8000C	23-01-00-0050	Power supply : DC 5V-24V input Power consumption : 5W Working temperature:Ta:0-20°C ~0+85°C	DMX/SPI magic lights with universal

Precautions

· Please use an isolated power supply to drive the LED light bar, and the ripple of the constant voltage source is less than 5%. Do not use resistance-capacitance step-down, non-isolated power supplies to drive the LED light bar.

· In actual applications, the power supply should reserve 20% of the margin (it is recommended to use only 80% of the power) to ensure sufficient voltage to drive the product.

· Please operate carefully, do not touch the AC power terminal when the power is on to prevent electric shock.

· Pay attention to the positive and negative poles of the power cord, and do not connect it wrongly. Whether the voltage of the power supply and the product are the same, so as to avoid damage to the product.

· During the installation process, please avoid scratching, twisting and irregular bending of the product, otherwise it may cause irreparable damage to the product.

· In order to ensure the life and reliability of the light strip, please do not bend it in an arc with a radius of less than 60mm. A too small bending radius will damage the product itself.

· If the actual application length exceeds the specified use length, it will cause the lamp belt to overload and heat, and the brightness is uneven.

· In order to prevent your eyes from being hurt, try to avoid staring at the light-emitting surface of the light bar for a long time.

· Non-professionals are prohibited from installing, disassembling and repairing the product.

· It is strictly forbidden to use any acidic or alkaline adhesives to fix products (including but not limited to glass glue, etc.).

· IP67 protection products are not suitable for swimming pool underwater.

· Products of different sizes and specifications under the same color temperature value due to structural differences, the final color of the product is slightly deviated, and it must be confirmed before use.

· When the IP67 protection product is installed and applied, the waterproof level needs to be downgraded after self-processing and cutting.

· Please use professional cutting tools when cutting.

· Engineering packaging neon light belt (20~50m), please use pay-off rack during construction to avoid damage to the product caused by pulling force.

· Attention, there are 2 soldering parts per reel (5m/reel) at most when mass production.



No stretching



No distortion



No trampling