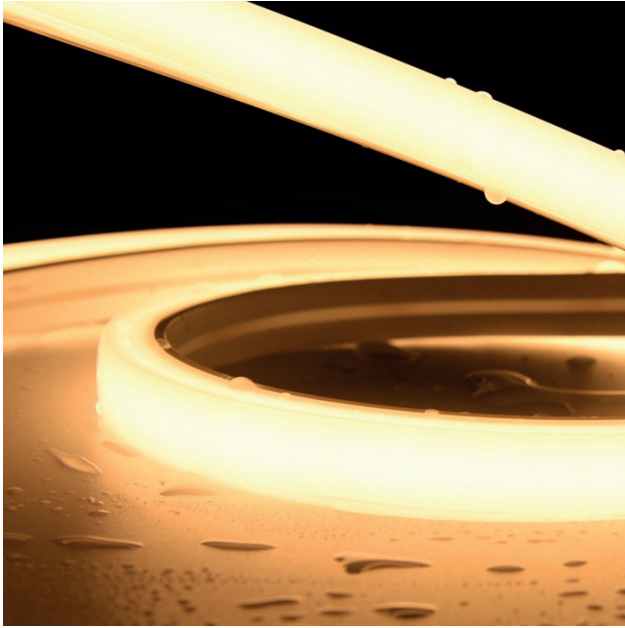


NEON FLEX



2200 K 2700 K 3000 K 4000 K 5000 K

LX-NF-NMT1312U-PRO

IP 67	IK 08	CRI >90	DC24V
----------	----------	------------	-------

UV RESISTANT	FLAME RESISTANT	SALTWATER RESISTANT	SOLVENT RESISTANT
-----------------	--------------------	------------------------	----------------------

5 YEAR WARRANTY	CE	RoHS	36000h
-----------------------	----	------	--------

NEON FLEX

- Light source: high luminous efficiency LED lamp beads, LM80 test certification;
 - Process material: three-color silicone extrusion technique is applied, Cutting mark more clear;
 - Optical design: unique optical light distribution structure design, uniform light emission on the surface without shadows;
 - Appearance design: Standard ESD oil spray, anti-dust; good flexibility, simple shape, exquisite and unique;
 - Product certification: UL, CE, ROHS, UKCA, CB;
 - Environmental characteristics: salt solution resistance, acid and alkali corrosion resistance, flame retardant resistance, UV resistance;
 - Working/Storage Temperature: Ta: -25~55°C / 0°C ~ 60°C.
- Application : signboard lighting, outdoor/internal decorative lighting, architectural contour application;



luxio
L I G H T I N G

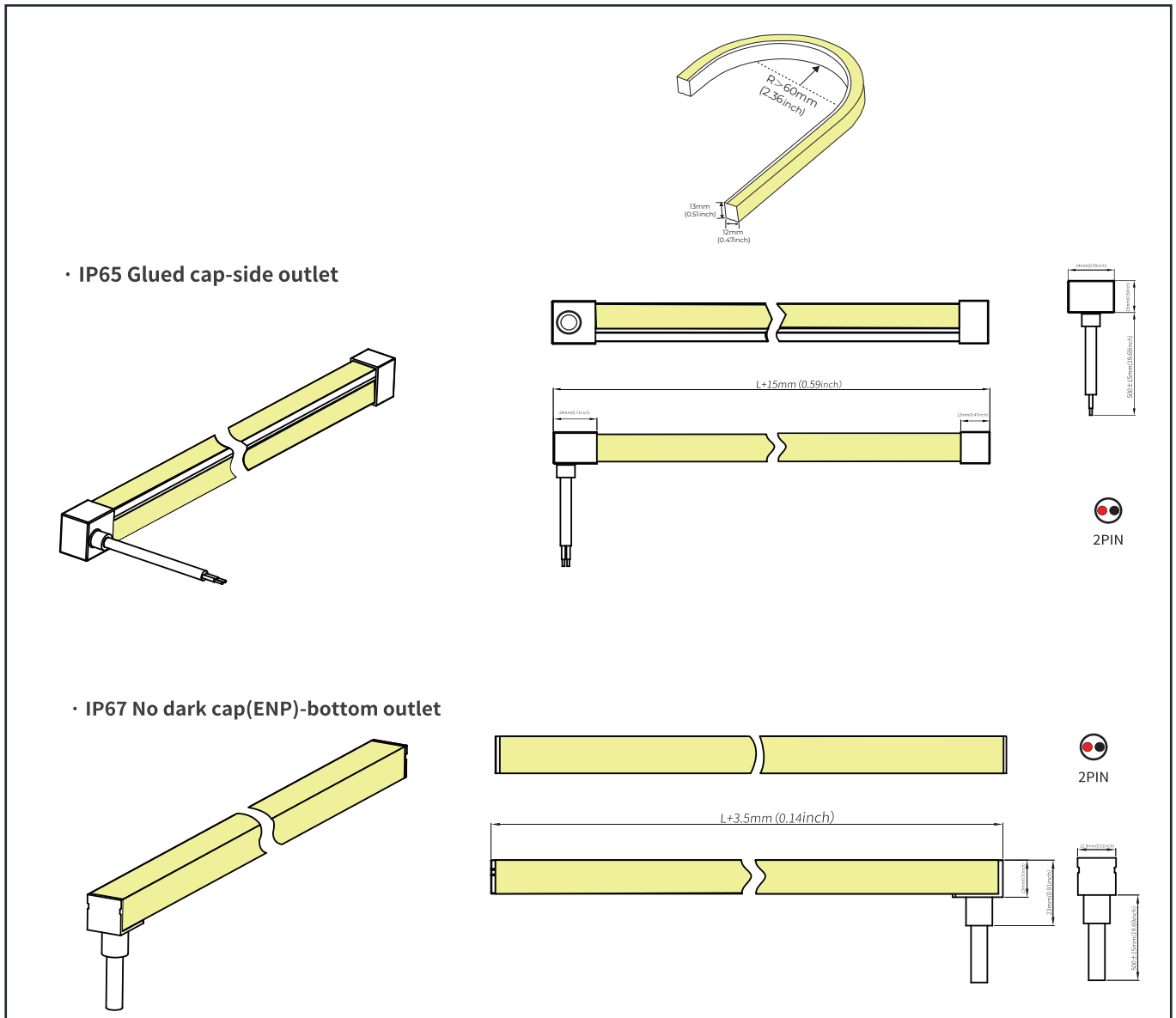
www.luxio-lighting.com

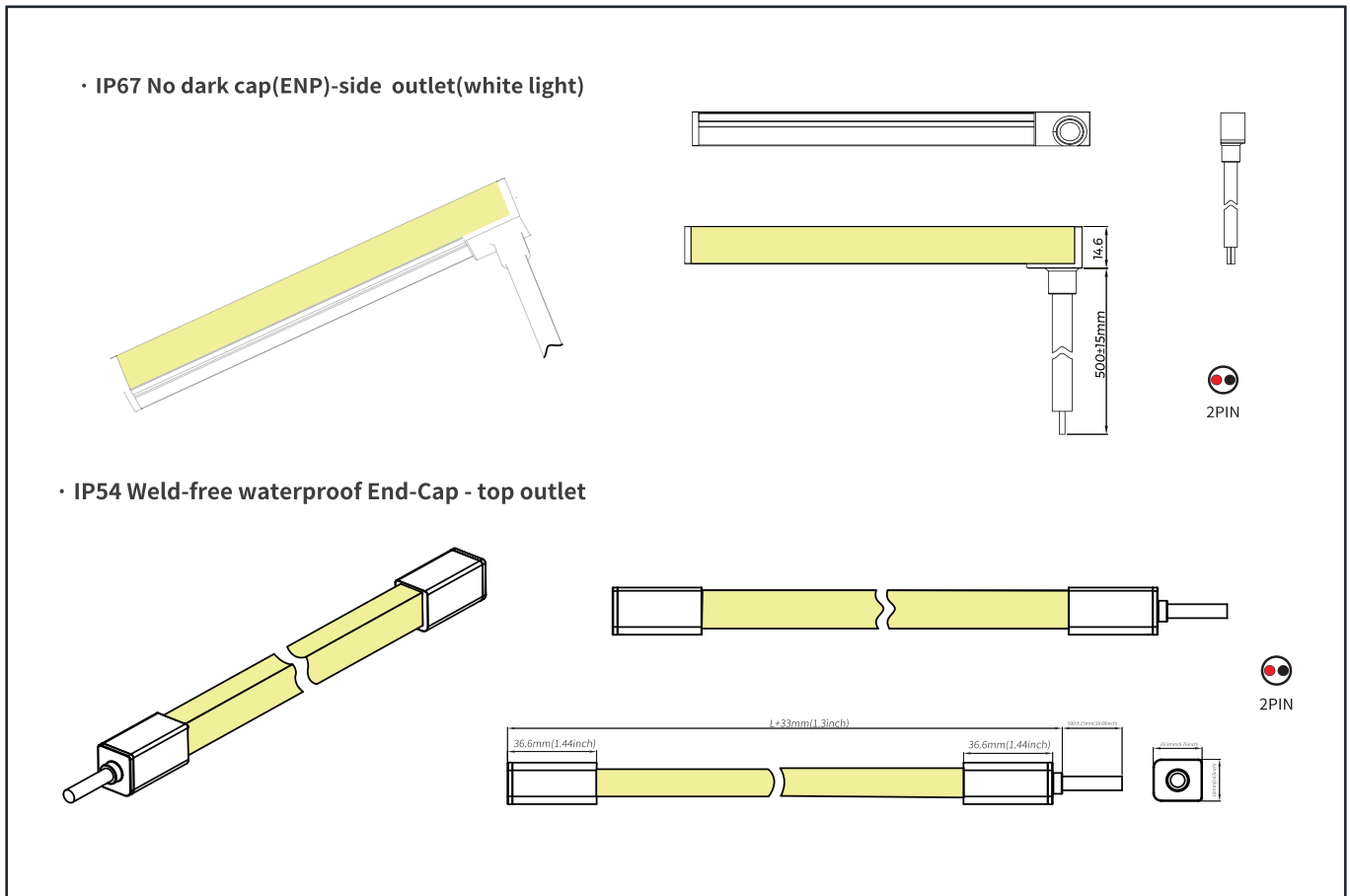
References

Reference	Rated power (w/m)	Maximum power (w/m)	Input Voltage	Rated current (A/m)	CRI	CCT/colors	Luminous flux	IP Rating	Dimensions	Remark
LX-NF-NMS1217U-PRO	11W	12W	24V	0.46	>90	2200K	710Lm	IP67	5000mm / 10000mm	6LED/38.5mm
						2700K	820Lm			
						3000K	850Lm			
						4000K	870Lm			
						5000K	850Lm			

- Note : 1、 The above data is the testing result of 1M standard product;
- The luminous flux is allowed to have an error range of $\pm 10\%$;
- The above parameters are typical values;

Product mechanical parameters







Accessory Information

Name	Describe	Accessories Picture	Section size	Order model	Quantity/ case	Net weight	Per box net weight (kg)	Gross weight	Gross weight	Remark
PC carrier	Flat mount PC slot			LX-NMT1312P-1000	60	0.066	3.96	5	1180*125*115	Size: L1000*W15.4*H14.6mm With screws
PC card	Flat mount PC clip			LX-NMT1312P-25	350	0.004	1.4	1.655	250*250*150	Size: L25*W15.4*H14.6mm With screws
End-Cap set	End cap set, including end cap and plug (outlet from the left direction)			LX-NMT1312GS0-EC	400	0.0035	1.4	1.7	250*250*150	/

Name	Describe	Accessories Picture	Section size	Order model	Quantity/ case	Net weight	Per box net weight (kg)	Gross weight	Gross weight	Remark
Weld-free waterproof End-Cap	Quick connector (out let from the top direction)			LX-NMT1312HT0-FL	48	0.04	1.92	3.735	365x365x190	outlet 500mm\IP54
Weld-free waterproof End-Cap	Quick connector (out let from the bottom direction)			LX-NMT1312HB0-FL	48	0.04	1.92	3.735	365x365x190	outlet 500mm\IP54
Weld-free waterproof End-Cap	Quick connector (out let from the left direction)			LX-NMT1312HL0-FL	48	0.04	1.92	3.735	365x365x190	outlet 500mm\IP54
Weld-free waterproof End-Cap	Quick connector (out let from the right direction)			LX-NMT1312HR0-FL	48	0.04	1.92	3.735	365x365x190	outlet 500mm\IP54
Weld-free waterproof End-Cap	Quick connector(plug)			LX-NMT1312TX0-FL	48	0.03	1.44	3.255	365x365x190	IP54
Weld-free waterproof connector	Quick connector (wit hout wire)			LX-NMT1312MX0-FL	96	0.026	2.496	2.75	365x365x190	IP54
Weld-free waterproof connector	Quick connector (wit h wire))			LX-NMT1312MH0-FL	48	0.053	2.544	2.8	365x365x190	The middle wire is 300mm long, IP54
Glue	Acid glue		/	LX-PG-0002	150	0.014	2.1	2.4	250*250*150	10ml/pcs

Name	Describe	Accessories Picture	Section size	Order model	Quantity/ case	Net weight	Per box net weight (kg)	Gross weight	Gross weight	Remark
wire	2P PVC wire (0.5M)		/	LX-WS-0001	150	0.01541	2.31	2.61	250*250*150	Suitable for single color strip
wire	2P PVC wire (2M)		/	LX-WS-0002	125	0.0616	7.7	8	250*250*150	Suitable for single color strip
connector	2PIN IP68 Waterproof connector		/	LX-FC-0001	512	0.016	8.192	9.5	365*365*190	Suitable for single color strip

Solution of controll system

Product Image	product name	Product number	Order code	Product specifications	Applicable Products
	Monochrome remote	LX-CK1-GBA	402-02-000000-00001	output signal :RF Working voltage:3VDC(CR2032) Remote control distance 30m Working temperature:Ta:0-30°C~0+55°C	Monochrome light strip (Use with LX-CR1-GBA)
	Monochrome light controller	LX-CR1-GBA	402-01-000000-00001	Input voltage : DC12-48V Output current : 15A@12V/24V,10A@36V/48V Output Power : Max 180W@12V/Max 360W@24V/Max 360W@36V/Max 480W@48V Working temperature:30°C— +55°C	Monochrome light strip (Use with LX-CR1-GBA)

Precautions

- Use a 24V DC isolated power supply to drive the neon lamp strip and the ripple wave of constant voltage source shall be less than 5%.

It is not allowed to use RC voltage reduction or non-isolated power supply to drive the neon lamp strip.

- In actual applications, 20% of the power supply shall be kept (only 80% of the power is used) to guarantee that sufficient voltage is available to drive the product.

- Attention shall be paid to safe operation. After powering on, it is not allowed to touch the AC power supply to avoid an electric shock.

- Attention shall be paid to the positive and negative poles of the wires during installation and whether the power supply conforms to required voltages to avoid damages.

- Avoid scratching, distortion and irregular bending of the product during installation; otherwise it may cause irreparable damage to the product.

- Please do not bend the strip into an arc with a diameter less than 60mm to ensure the longevity and reliability, the bending diameter too small will damage the product itself.

- If the actual length of application exceeds the specified using length, it will lead to overload heating and uneven brightness.

- To keep the eyes from being harmed, try to avoid staring at the glowing side of the LED strip for a long time.

- Non-professionals are prohibited from installing, disassembling and repairing the product.

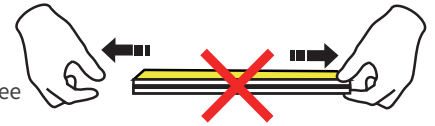
- Do not use any acid or alkaline adhesive to fix products (including not limited to glass cement, etc.)

- Product is not suitable for use in swimming pools and fountains.

- Please confirmed before usage as products of varied sizes show slight differences in their color under same color temperature due to their structural differences.

- When IP67 protective products are installed and applied, the waterproofing grade should be degraded after self-processing and cutting.

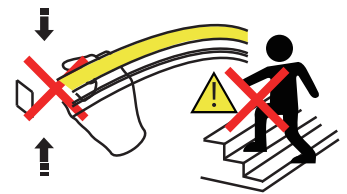
- Please use professional cutting tools when cutting.



No stretching



No distortion



No trampling