

NEON FLEX

LX-NF-NNT1005



2200 K
2700 K
3000 K
4000 K
5000 K

IP 65	IK 06	CRI >90	DC24V
-----------------	-----------------	-------------------	--------------

 UV RESISTANT	 FLAME RESISTANT	 SALTWATER RESISTANT	 SOLVENT RESISTANT
---------------------	------------------------	----------------------------	--------------------------

 5 YEARS WARRANTY	CE	RoHS	36000h
----------------------------	-----------	-------------	---------------

NEON FLEX

- Light source: High luminous efficiency, LM80 proved.
- Process & Material: High light transmittance, environmental silicone material, IP65.
- Optical Design: Unique optical light distribution structure design, tricolor extrusion process, uniform lighting surface and no shadow, clear clipping line.
- Appearance Design: Compared with the traditional neon tube, the silicone material has good flexibility and high degree of freedom, the simple and stylish appearance, which is exquisite and unique.
- Product Certification: CE, ROHS, UKCA ;
- Environmental Features: Resistance to saline solutions, acids & alkali, corrosive gases and UV.
- Application: Furniture supporting lighting, indoor outline lighting, indoor furniture lighting.



luxio
L I G H T I N G

www.luxio-lighting.com

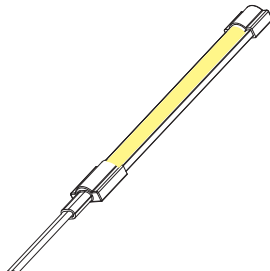
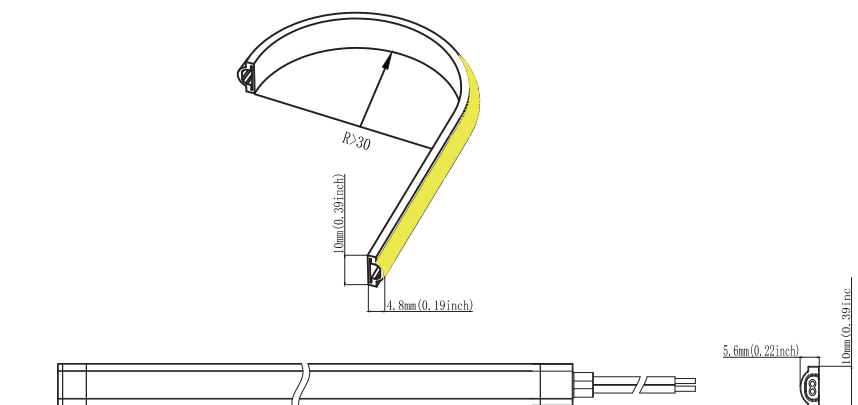
References

Reference	Rated power (w/m)	Maximum power (w/m)	Input Voltage	Rated current (A/m)	CRI	CCT/K	Luminous flux	IP Rating	Dimensions	Remark
LX-NF-NNT1005	10W	11.2W	24V	0.3	>90	2200K	520Lm	IP65	5000mm	29.41mm
						2700K				
						3000K				
						4300K				
	15W	16.4W				2200K	1075Lm			7LED/25mm
						2700K				
						3000K				
						4200K				

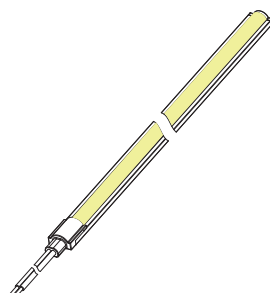
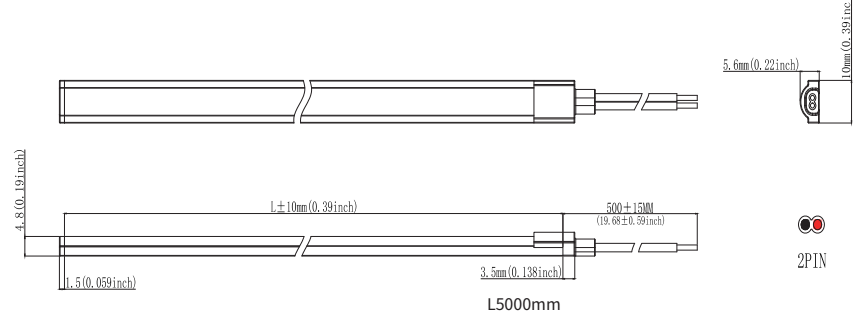
1. The above parameters are tested based on 1m (3.28ft) standard products;
2. The luminous flux is allowed to have an error range of $\pm 10\%$;
3. The above parameters are typical values;

Product mechanical parameters









• IP65 Glued cap-top outlet



• IP65 mould pressing cap-top

Product mechanical parameters

name	Description	Image	Sectional size	Ordering code	Quantity case (PCS)	Net weight (kg)	Net weight (kg)	Gross weight (kg)	Packing (mm)	Remark
Plastic carrier	Flat mounting slot			LX-NNT1005P-1000	150	0.0328	4.92	6.08	180*125*15	Size: L1000*W12.1*H5.7mm
Plastic clip	Flat mounting clip			LX-NNT1005P-25	800	0.00075	0.6	0.9	250*250*150	Size: L25*W12.1*H5.7mm with screws
End cap set	End cap set, including end cap and plug (outlet from the bottom direction)			LX-NNT1005GH0-EC	600	0.00079	0.474	0.684	250*250*150	/
Glue	588G acidic glue		/	LX-PG-0002	150	0.014	2.1	2.4	250*250*150	10ml/pcs
Wire	2P hoary Wire(0.5m)		/	LX-WS-0009	200	0.0077	1.54	1.84	250*250*150	Suitable for white light strip
Wire	2P hoary Wire(2m)			LX-WS-0010	100	0.031	3.1	3.4		

Product control system solutions

Product Image	product name	Product number	Order code	Product specifications	Applicable Products
	Monochrome remote	LX-CK1-GBA	402-02-000000-00001	output signal: RF Working voltage: 3VDC (CR2032) Remote control distance: 30m Working temperature: Ta: 0-30°C ~ +55°C	Monochrome light strip (Use with LX-CR1-GBA)
	Monochrome light controller	LX-CR1-GBA	402-01-000000-00001	Input voltage: DC12-48V Output current: 15A@12V/24V, 10A@36V/48V Output Power: Max 180W@12V/Max 360W@24V/Max 360W@36V/Max 480W@48V Working temperature: -30°C ~ +55°C	Monochrome light strip (Use with LX-CR1-GBA)

Precautions

· Use a 24V DC isolated power supply to drive the neon lamp strip and the ripple wave of constant voltage source shall be less than 5%.

It is not allowed to use RC voltage reduction or non-isolated power supply to drive the neon lamp strip.

· In actual applications, 20% of the power supply shall be kept (only 80% of the power is used) to guarantee that sufficient voltage is available to drive the product.

· Attention shall be paid to safe operation. After powering on, it is not allowed to touch the AC power supply to avoid an electric shock.

· Attention shall be paid to the positive and negative poles of the wires during installation and whether the power supply conforms to required voltages to avoid damages.

· Avoid scratching, distortion and irregular bending of the product during installation; otherwise it may cause irreparable damage to the product.

· Please do not bend the strip into an arc with a diameter less than 60mm to ensure the longevity and reliability, the bending diameter too small will damage the product itself.

· If the actual length of application exceeds the specified using length, it will lead to overload heating and uneven brightness.

· To keep the eyes from being harmed, try to avoid staring at the glowing side of the LED strip for a long time.

· Non-professionals are prohibited from installing, disassembling and repairing the product.

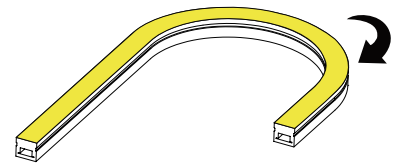
· Do not use any acid or alkaline adhesive to fix products (including not limited to glass cement, etc.)

· Product is not suitable for use in swimming pools and fountains.

· Please confirmed before usage as products of varied sizes show slight differences in their color under same color temperature due to their structural differences.

· When IP65 protective products are installed and applied, the waterproofing grade should be degraded after self-processing and cutting.

· Please use professional cutting tools when cutting.



Top bending error bending ❌



No stretching



No trampling