

PROFIL LIGHT



LX-PL-LE25G(A)

24V	CRI >80/90	IP 20	SDCM ≤3
-----	---------------	----------	------------




LX-PL-LE25G(A)

- 25mm slender lighting surface
- 120 LM/W high light efficiency design, lumen output up to 2375 Lm/m
- Butterfly clip design, more convenient installation.
- CCT : 2700K/3000K/3500K/4000K/5000K/6500K
- Dimming method : no power supply
- Lighting direction : downward
- Length : 200mm/600mm/1200mm/1500mm/1800mm/2400mm optional (other length on request)
- Coating : Black(RAL9005), White(RAL9003)
- Installation : Recessed



Optical & electronic data

	200mm (0.66')	600mm (2')	1200mm (4')	1500mm (5')	1800mm (6')	2400mm (8')	L*(277*277mm) (1*1')	T*(529*277mm) (1.7*1')	X*(529*529mm) (1.7*1.7')
Round Grating 30°/55° 	/	11W / 850LM	22W / 1700LM	33W / 2550LM	/	44W / 3400LM	/	/	/

Remark:

- 1,the tolerance of output data can be vary up to 10%;
- 2,the output data is typical value;

Standard length

2200mm (7.2')

Opening size:2162*27mm

1600mm (5.2')

Opening size:1623*27mm

1100mm (3.6')

Opening size:1085*27mm

550mm (1.8')

Opening size:545*27mm

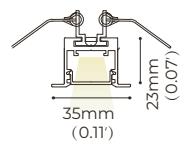
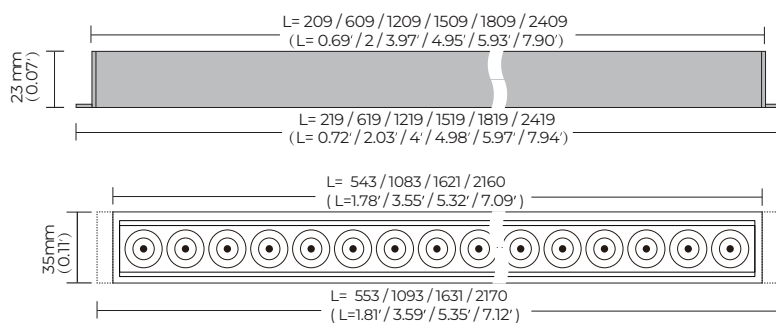
Customized length (2400mm ~ 5000mm) (7.87' ~ 16.4')



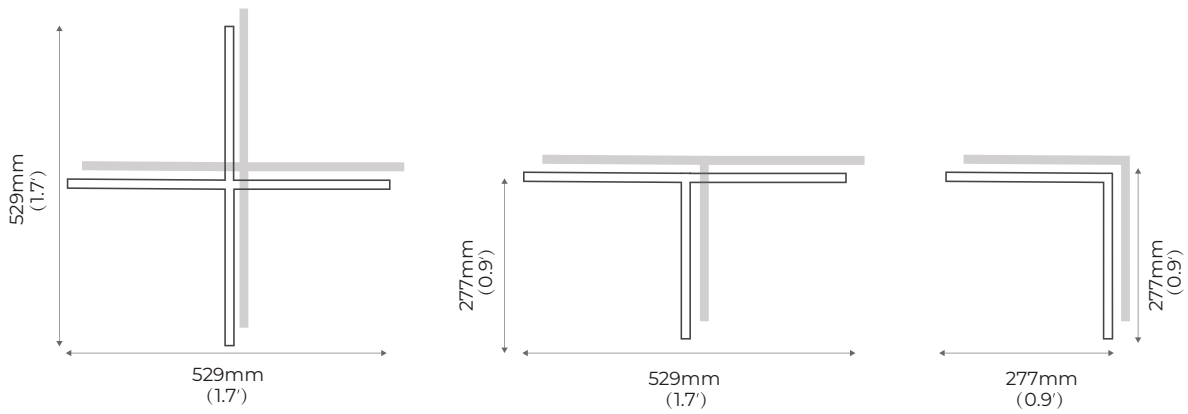
Ultra long connection (<5000mm) (<16.4')



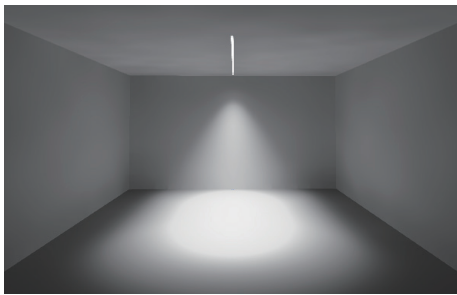
Dimensions



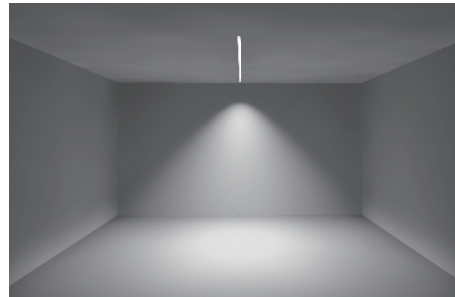
Corners



Lighting effect



Round Grating 30°



Round Grating 55°