

# PROFIL LIGHT



## LX-PL-LH25FD

24V	CRI >80/95	IP 20
-----	---------------	----------




### LX-PL-LH25FD

- Up and down lighting design with suspension way, 25mm slender lighting surface
- 95 Lm/W high light efficiency design, lumen output up to 3800 Lm/m
- Multiple standard corner (L type, X type, T type optional), available for free connection.
- Electric wire & suspension wire with two-in-one design, invisible and beautiful.



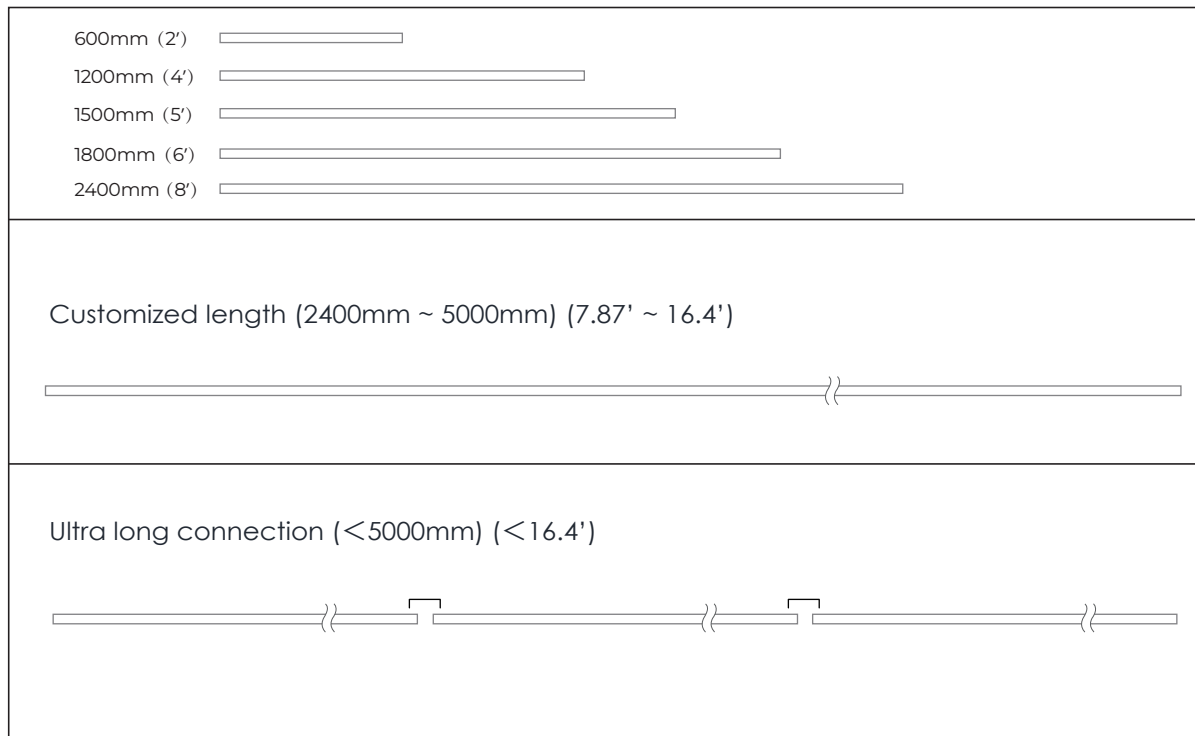
## Optical & electronic data

	600mm (2')	1200mm (4')	1500mm (5')	1800mm (6')	2400mm (8')	L* (277*277mm) (1' * 1')	T* (529*277mm) (1.7' * 1')	X* (529*529mm) (1.7' * 1.7')
Diffuser 	Up:12W/950LM Down:12W/1250LM	Up:24W/1900LM Down:24W/2500LM	Up:30W/2400LM Down:30W/3150LM	Up:36W/2900LM Down:36W/3750LM	Up:48W/3850LM Down:48W/5000LM	Up:11W/880LM Down:11W/1155LM	Up:16W/1280LM Down:16W/1680LM	Up:21W/1680LM Down:21W/2205LM

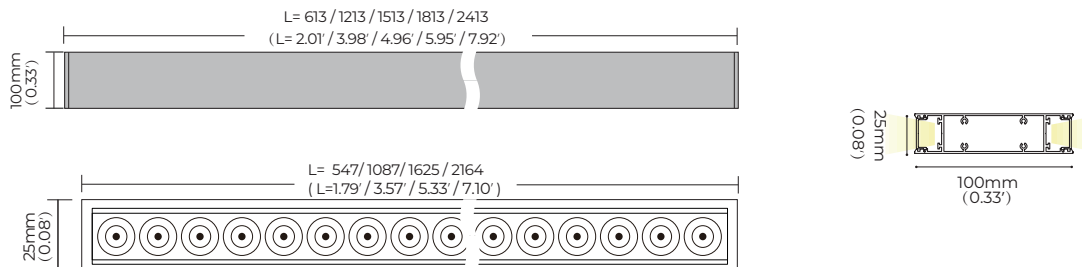
Remark:

- 1,the tolerance of output data can be vary up to 10%;
- 2,the output data is typical value;

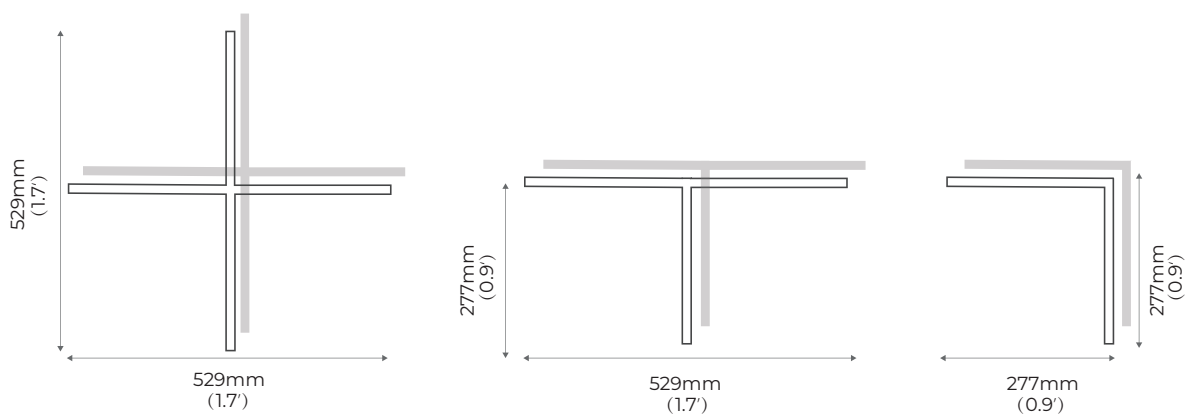
## Standard length



## Dimensions



## Corners



## Lighting effect



Diffuser