

# PROFIL LIGHT

## LX-PL-LM25FD

<b>IP</b> 20	<b>CRI</b> 80/90	<b>24VDC</b>
-----------------	---------------------	--------------

<b>5</b> GARANTIE	<b>CE</b>	<b>RoHS</b>	<b>50000h</b>
----------------------	-----------	-------------	---------------



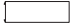
- 25mm slender lighting surface
- 120 LM/W high light efficiency design, lumen output up to 2375 Lm/m
- Multiple standard corner (L type, X type, T type optional), available for free connection.
- to meet variety application requirements.
- Provide surface mounted buckle, more convenient installation.
- Profile material AL6063-T5
- CCT : 2700K/3000K/3500K/4000K/5000K/6500K



**luxio**  
L I G H T I N G

[www.luxio-lighting.com](http://www.luxio-lighting.com)

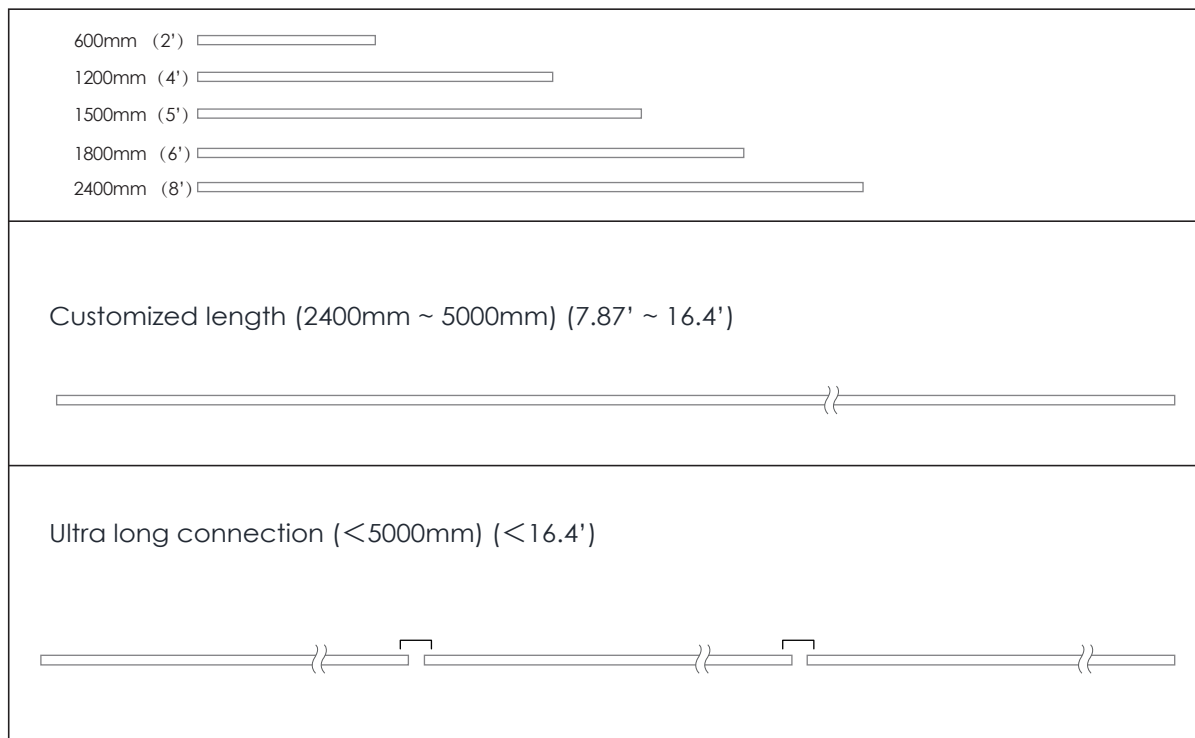
## Optical & electronic data

	200mm (0.66')	600mm (2')	1200mm (4')	1500mm (5')	1800mm (6')	2400mm (8')	L*(277*277mm) (1'x1')	T*(529*277mm) (1.7'x1')	X*(529*529mm) (1.7'x1.7')	
Diffuser		/	12W / 1250LM	24W / 2500LM	30W / 3150LM	36W / 3750LM	48W / 5000LM	11W / 1155LM	16W / 1680LM	21W / 2205LM

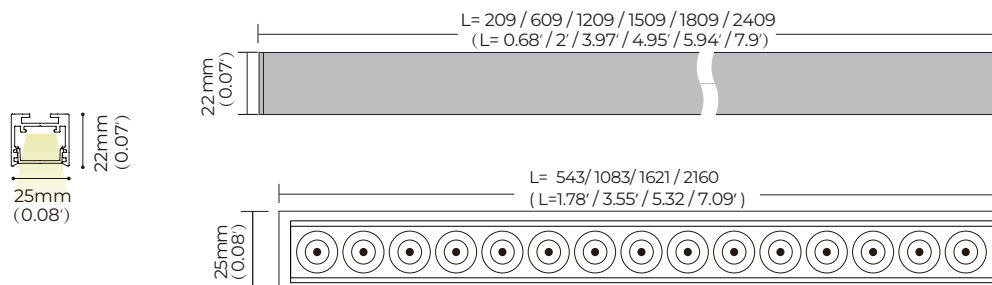
Remark:

- 1 the tolerance of output data can be vary up to 10%;
- 2 the output data is typical value;

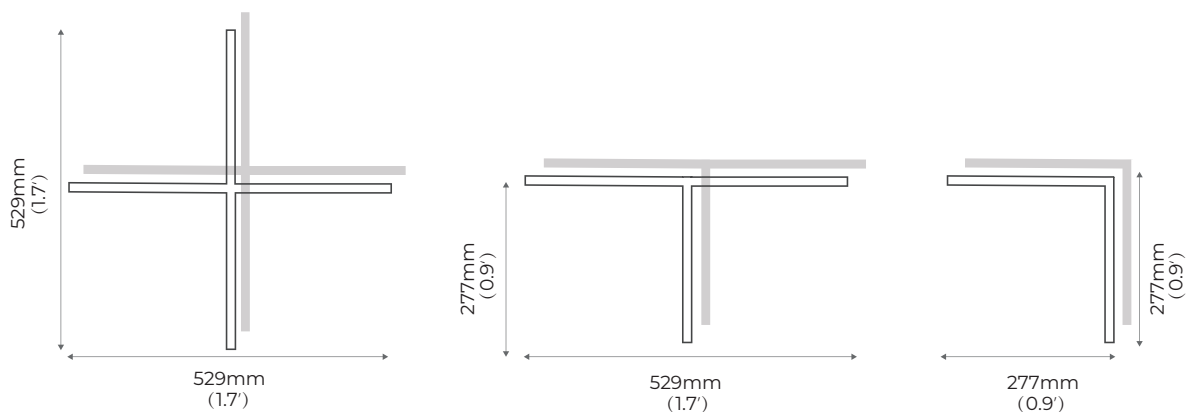
## Standard length



## Dimensions



## Corners



## Lighting effect



Diffuser